

**GROVE**

HYDR.-ANLAGE NOTBETRIEB BGR159 OBERWAGEN

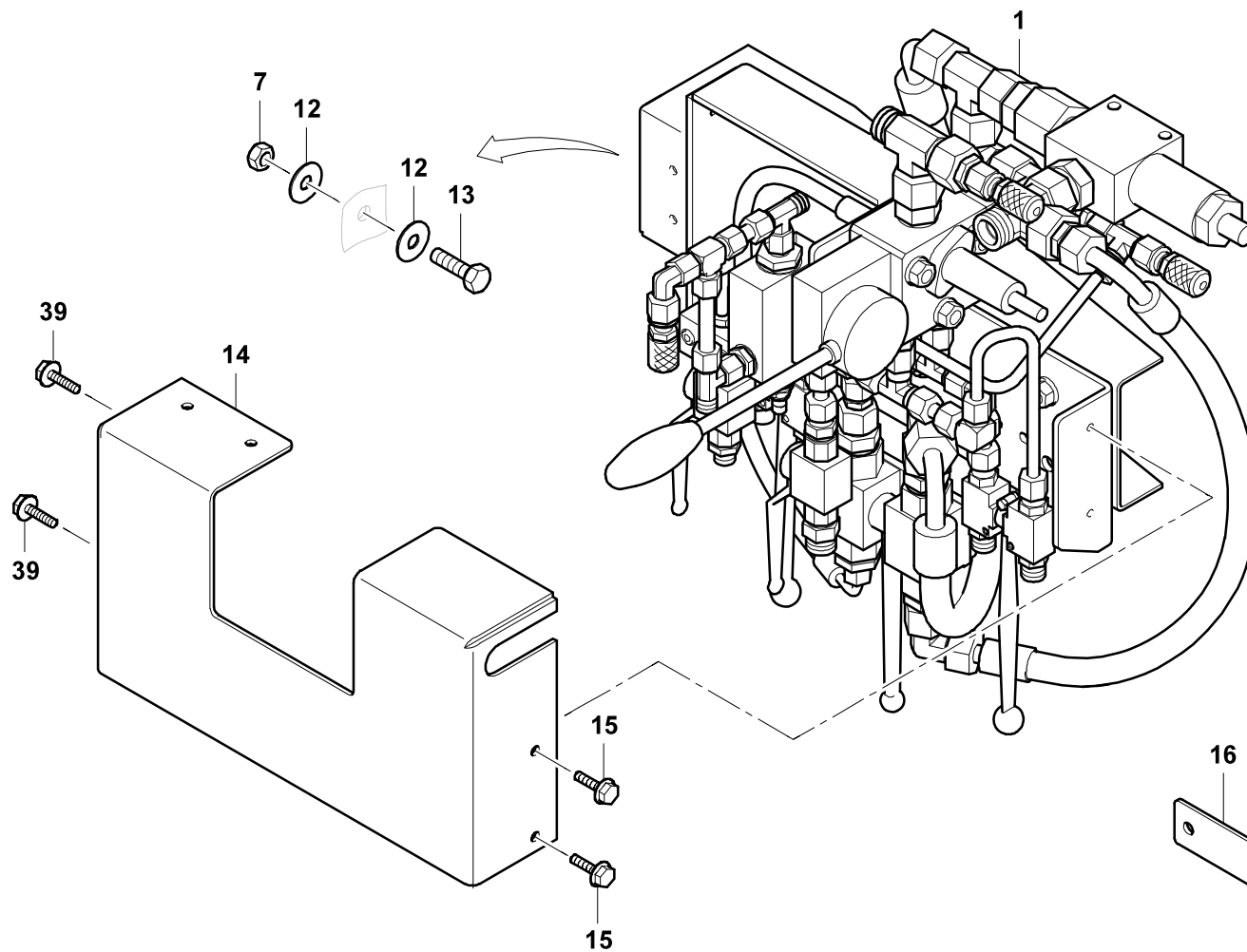
HYDR.-PLANT, EMERGENCY SET BGR159 SUPERSTRUCTURE

BILDТАFEL  
PICTORIAL DISPLAY**GMK4080-3**

02.20

**4212574-ETL C**

1/5



**GROVE**

HYDR.-ANLAGE NOTBETRIEB BGR159 OBERWAGEN

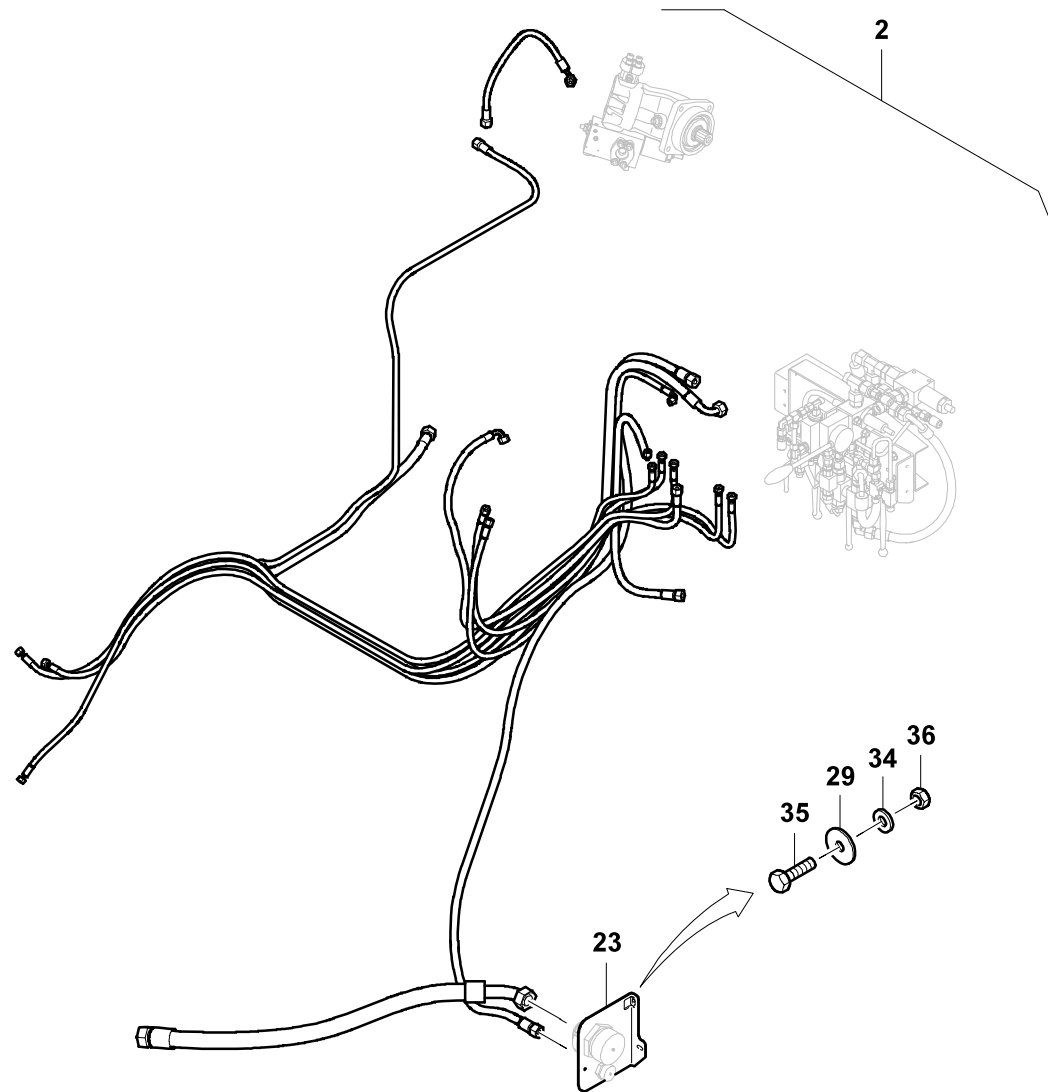
HYDR.-PLANT, EMERGENCY SET BGR159 SUPERSTRUCTURE

BILDТАFEL  
PICTORIAL DISPLAY**GMK4080-3**

02.20

**4212574-ETL C**

2/5



**GROVE**<sup>®</sup>

HYDR.-ANLAGE NOTBETRIEB BGR159 OBERWAGEN

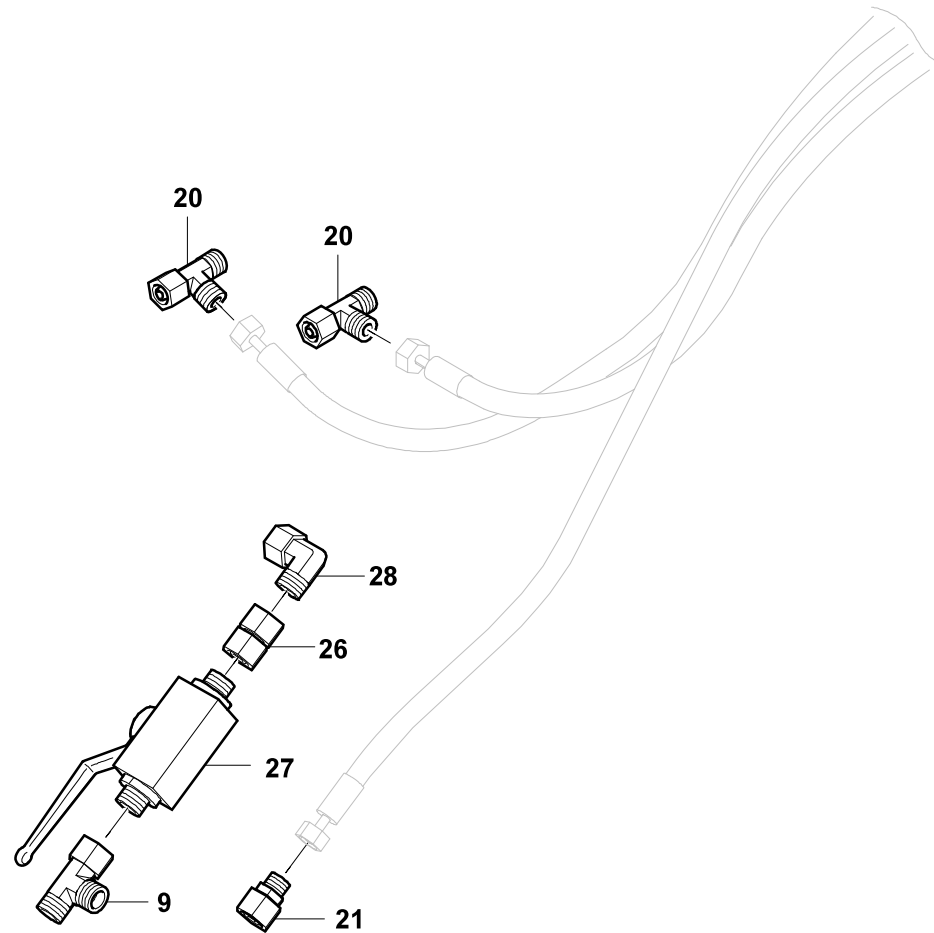
HYDR.-PLANT, EMERGENCY SET BGR159 SUPERSTRUCTURE

BILDТАFEL  
PICTORIAL DISPLAY**GMK4080-3**

02.20

**4212574-ETL C**

3/5



**GROVE**

HYDR.-ANLAGE NOTBETRIEB BGR159 OBERWAGEN

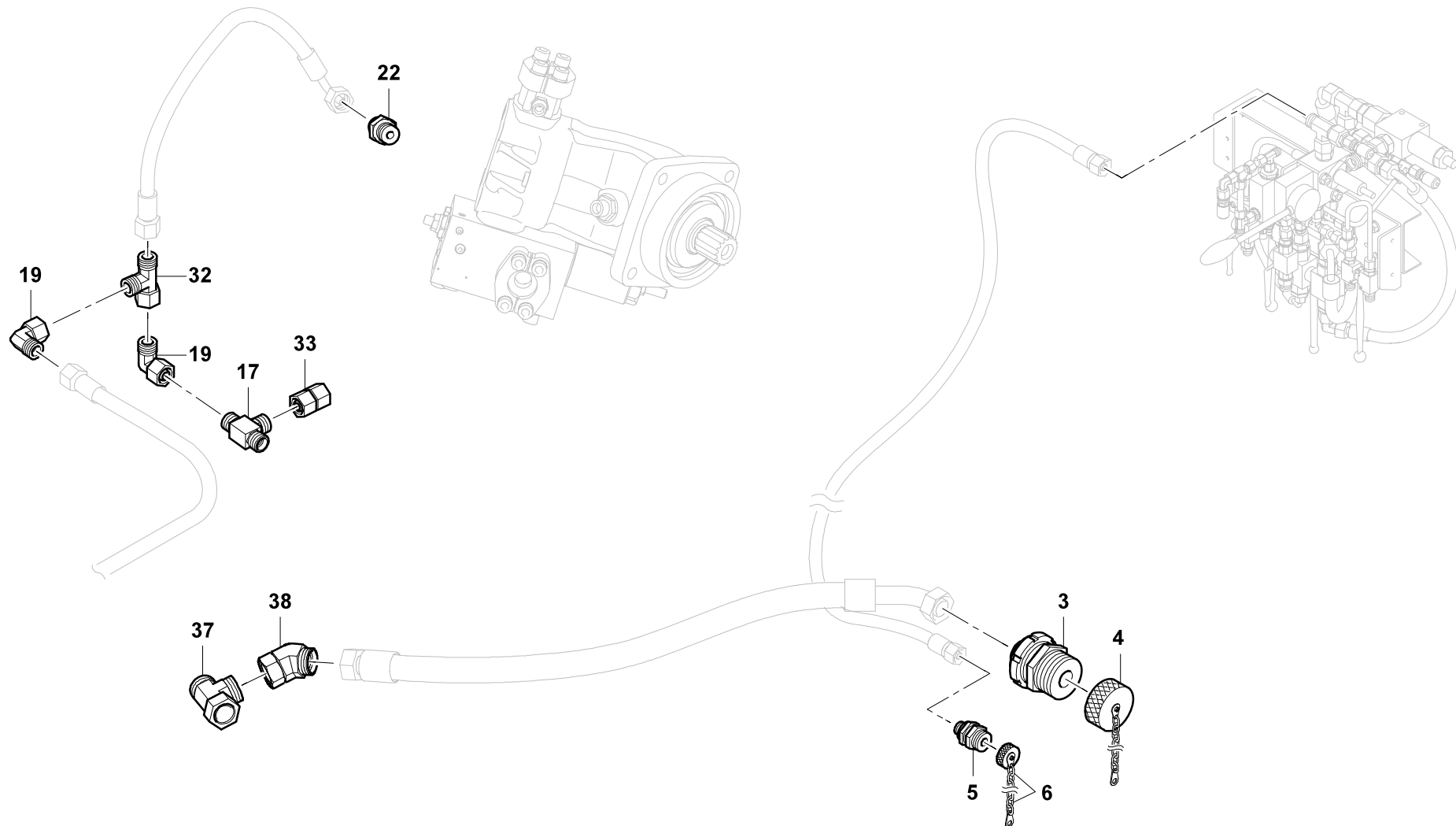
HYDR.-PLANT, EMERGENCY SET BGR159 SUPERSTRUCTURE

BILDТАFEL  
PICTORIAL DISPLAY**GMK4080-3**

02.20

**4212574-ETL C**

4/5



**GROVE**

HYDR.-ANLAGE NOTBETRIEB BGR159 OBERWAGEN

HYDR.-PLANT, EMERGENCY SET BGR159 SUPERSTRUCTURE

BILDTADEL  
PICTORIAL DISPLAY**GMK4080-3**

02.20

**4212574-ETL C**

5/5

